

Automatic Self Cleaning Filter



industry

Automotive, Aviation, Ballast treatment, Electronics, Food & Beverage; Mining, Oil & Gas, Petrochemical, Power Generation, Pulp & Paper



municipal

Potable Water, Waste Water, Desalination, Brackish Water, High rise buildings, Pre-filtration to Membranes



irrigation

Agriculture, Golf & Turf, Aquaculture, Green Houses



SUN

Water Filtration Systems.



Automatic Self Cleaning Filter

DESCRIPTION

Body Material: ST-37-2(S235JR) / AISI 316L (1.4404) / AISI 304 L (1.4307)

S37-2 Carbon steel body filters: They are referred to by the VE2- Code.

304L and 316L Chrome steel body filters: Represented by CVE2- Code

Screen MaterialAISI: AISI 316L

Maximum Working Pressure: 10 bar (145 Psi) (optionally up to 25 bars (360 psi)

Maximum Output Pressure: 2 bar (29 Psi)

Maximum Working Temperture: 60 ° C (140 F)

Back Flushing Type: Time and / or Pressure Differential

Back Flush Control SystemElectronic: Programmable control unit (PLC) 24VDC to 220V AC

Filtration Degree: 10-2000 micron (μ)

Painting Method: Electrostratic Powder Cotaing

Paint Material: Epoxy Polyester (C5-M)

The filter body is St-37 or stainless-steel optionality

The filtering in pressured lines

High performance during the back washing

Extensive Filtering Surface

Easy-to assembly and fitler components, not required to change

100% back washing performance

The back washing time for 5-15 sec.

Working opportunity, not required additional energy

The minimum head and water loss

CHARACTERISTICS

Designed for: liquid

Filtration element: cartridge

Other characteristics: automatic

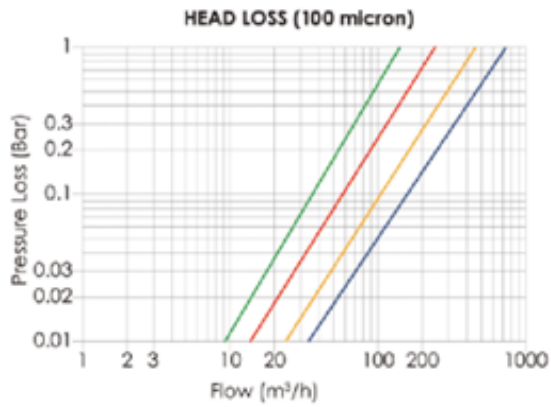
Flow: 30 m³/h, 40 m³/h, 55 m³/h, 70 m³/h, 120 m³/h, 150 m³/h, 180 m³/h, 320 m³/h

Operating pressure: Max.: 25 bar (362.594 psi) Min.: 2 bar (29 psi)

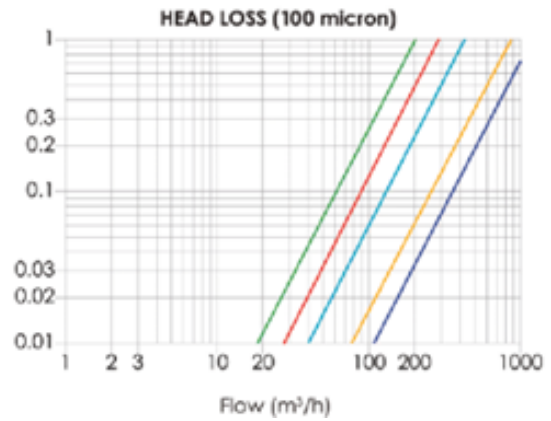
Filtration size: Max.: 2,000 μ m Min.: 10 μ m



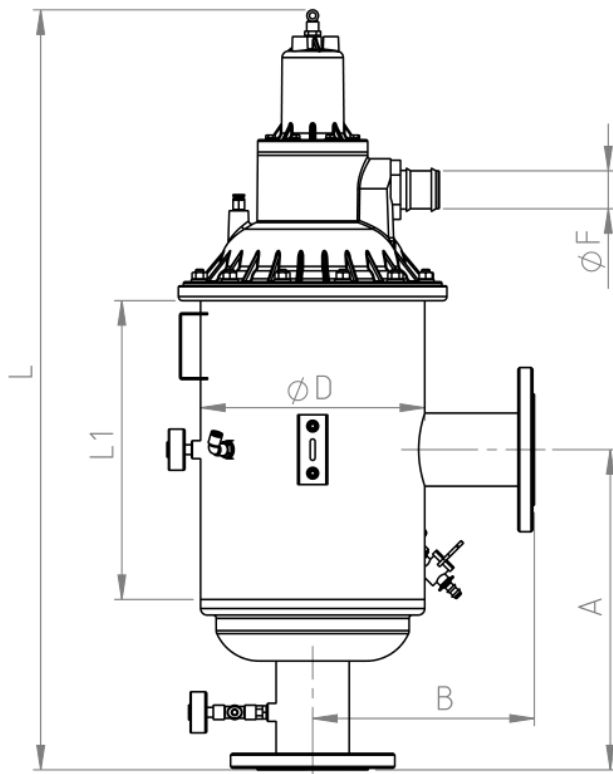
Automatic Self Cleaning Filter



CVE2-102F CVE2-102 CVE2-103



CVE2-104 CVE2-105 CVE2-106 CVE2-108



Filter model no	Inlet diameter (DN)	Outlet diameter (DN)	A (mm)	B (mm)	L1 (mm)	L (mm)	D (inch)	F (inch)	Waste water (L/S)	Filtering capacity (m3/h)	Filtration surface area (cm2)
CVE2-102-F	50	50	310	270	240	765	10	2	0,8	30	658
CVE2-102	50	50	390	270	363	920	10	2	0,8	40	1317
CVE2-1025	75	75	390	270	363	920	10	2	0,8	55	1317
CVE2-103	80	80	440	270	665	1020	10	2	1,2	70	1975
CVE2-104	100	100	684	287	770	1520	10	2	0,8	120	2634
CVE2-105	125	125	784	287	970	1720	10	2	1,25	150	3951
CVE2-106	150	150	884	287	1170	1920	12	2	1,6	180	5268
CVE2-108	200	200	984	287	1570	2320	12	2	2,5	320	7900

